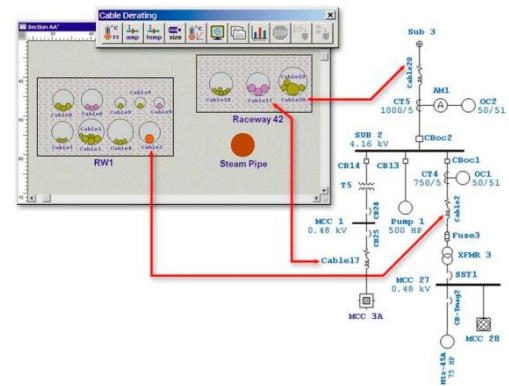
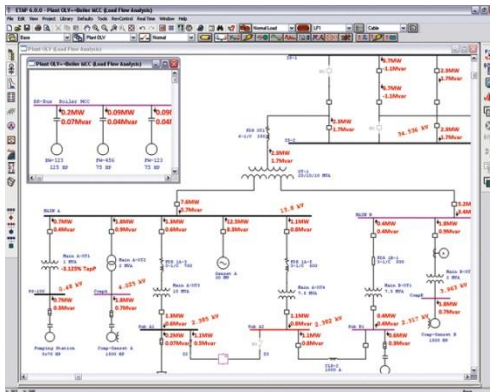


## Etap Training course : ETAP software for power analysis :

ETAP is the most comprehensive enterprise solution for design, simulation, operation, control, optimization, and automation of generation, transmission, distribution, and industrial power systems

course	Duration hrs
<b>ETAP course</b>	24



### Outline :

- Overview
- Program toolbars
- Load flow analysis exercise
- Short circuit analysis exercise
- Device coordination (STAT) exercise
- Arc Flash Exercise
- Motor acceleration exercise
- Transient Satiability exercise
- Harmonic Analysis