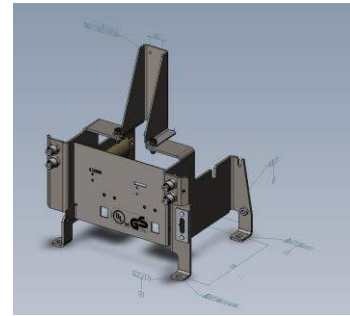


## SolidWorks Training Course

Learn how to utilize SolidWorks mechanical design automation software to build parametric models of parts and assemblies. Participants will learn to draw sketches of solid models, apply geometric constraints and dimensions for profiling modeling, create part, assembly and sub-assembly models, and modify and edit 3D models and drawings.



course	Duration
<b>SolidWorks basic Level</b>	20 Hrs
<b>SolidWorks advanced Level</b>	20 Hrs

### SolidWorks basic Level:

#### Course outline

- 1- Introduction - Sketching
- 2- Part Modeling
- 3- Revolve & Sweep - Patterning
- 4- Simulation-Xpress - Shell & Rib - Repair
- 5- Drawing - Configurations
- 6- Assembly Modeling

### SolidWorks advanced Level:

#### Course outline

- 1- Advanced Sketching
- 2- Advanced Features
- 3- Advanced Features 2
- 4- Multi-Body Techniques
- 5- Advanced Assembly
- 6- Top-Down Assembly